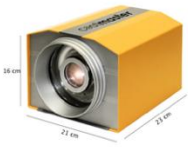
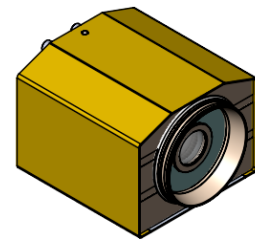
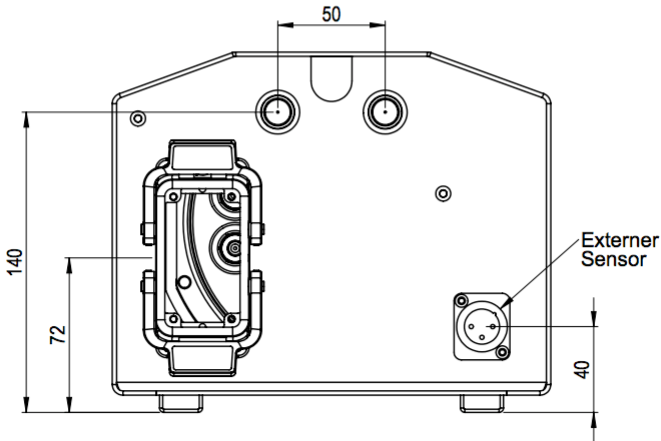
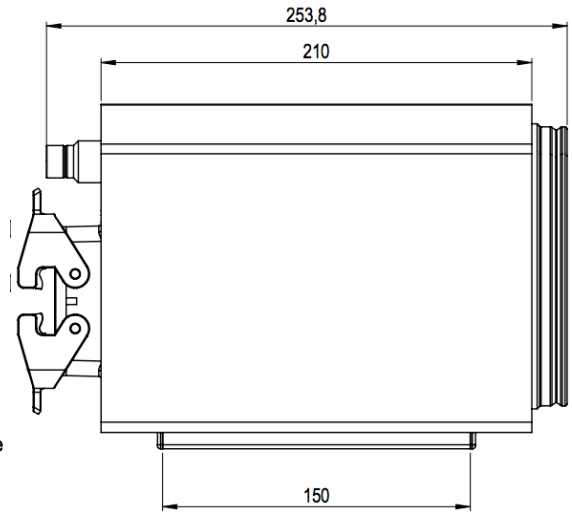
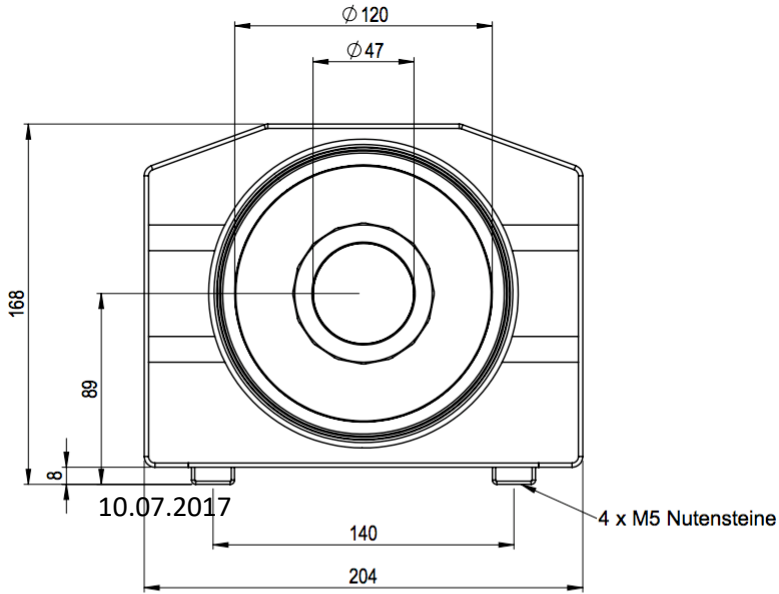


coatmaster inline data sheet (2018)

	m1	m2	m3	m4
Weight head unit	4.9 kg	4.9 kg	4.9 kg	4.9 kg
Thickness range	0-2000 μm	0-2000 μm	0-2000 μm	0-2000 μm
Working distance (max.) (ii)	30 cm	50 cm	80 cm	120 cm
Relative standard deviation (i)	3%	1.5%	0.7%	0.3%
No. measurements (iii)	1 mio.	2 mio.	4 mio.	8 mio.
Repetition rate (iii)	1 Hz (2Hz opt.)	1 Hz (2Hz opt.)	1 Hz (2Hz opt.)	1 Hz (2Hz opt.)
Relative velocity of sample (ii)	120m/min	120m/min	120m/min	120m/min
Tilt tolerance (ii)	$\pm 80^\circ$	$\pm 80^\circ$	$\pm 80^\circ$	$\pm 80^\circ$
Distance tolerance (ii)	5-30cm	5-50cm	5-80cm	5-120cm
Operating temperature head unit	60°C	60°C	60°C	60°C
Operating temperature cooling and generator (rack units)	5°C-35°C	5°C-35°C	5°C-35°C	5°C-35°C
Relative humidity (non-condensing)	<80%	<80%	<80%	<80%
Height difference between measurement head and rack	8m	8m	8m	8m
Ethernet	Yes	Yes	Yes	Yes
W-Lan	Opt	Opt	Opt	Opt
External trigger input	Yes	Yes	Yes	Yes

- (i) 60um cured powder coating on aluminum substrate, 20cm working distance, 1000j
(ii) Depending on coating/substrate combination
(iii) Depending on energy settings



(1 : 5)

